



## Specifications

---

- Front, Rear or Reverse Camera
- Universal Surface Mount
- 105° Horizontal Lens Angle
- CMOS Image Sensor
- Parking Guidelines (Loop Setting Optional)
- Mirror Image (Loop Setting Optional)
- PAL / NTSC System (Loop Setting Optional)
- DC 12V Compatible
- IP67 Waterproof / Dustproof

## Technical Assistance

---

If you need assistance setting up or using your Gator product now or in the future, call Gator Support.

Australia

TEL: 03 – 8587 8898

FAX: 03 – 8587 8866

Mon-Fri 9am – 5pm AEST

Please retain this user guide for future reference.



# G30CL

## USER MANUAL

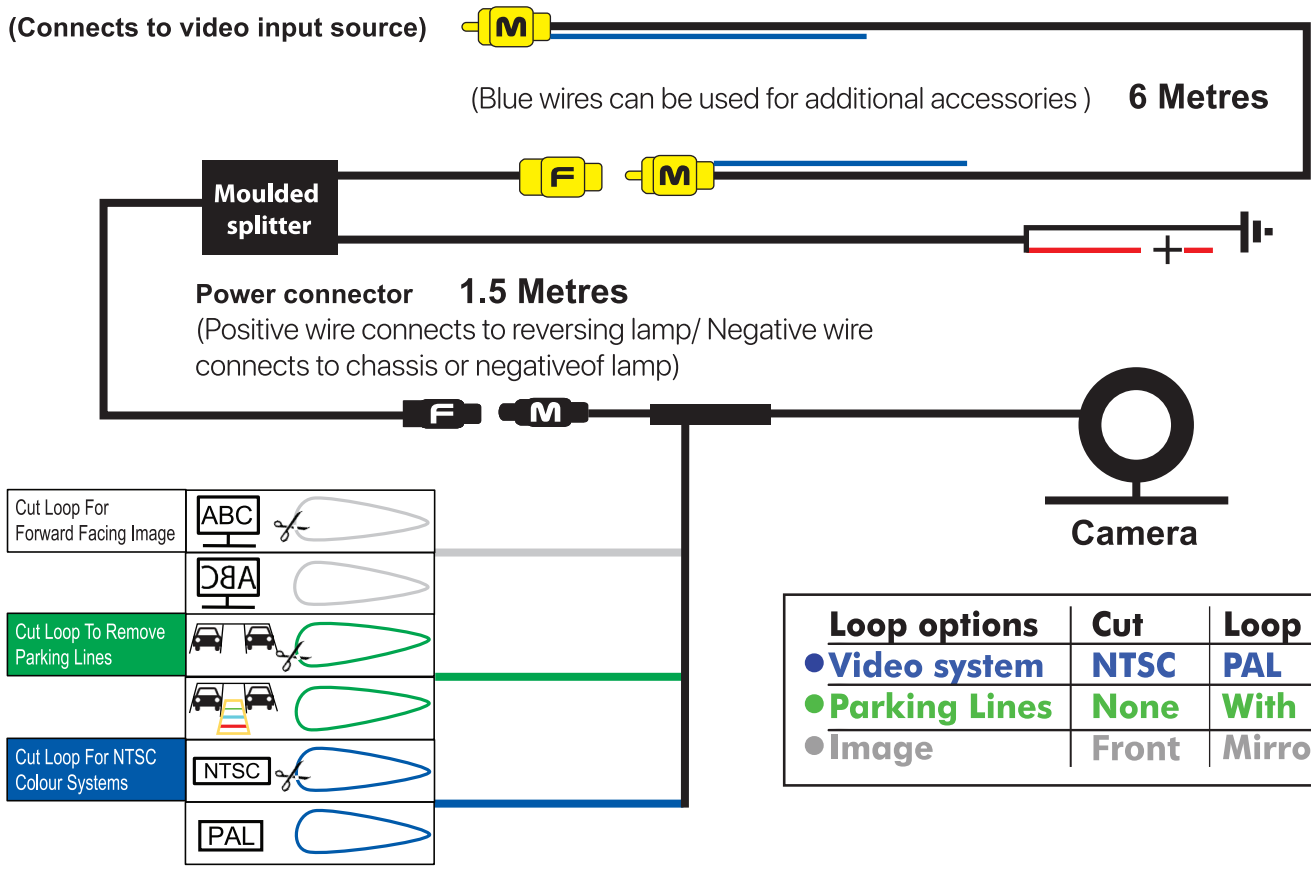


For more information  
on the Gator range  
go to our website

[gatordriverassist.com](http://gatordriverassist.com) 

### INCLUSIONS:

Surface Mount Camera, 6M RCA Video Cable with Trigger  
and Camera Harness



Loop options	Cut	Loop
● Video system	NTSC	PAL
● Parking Lines	None	With
● Image	Front	Mirror

**Note:** When cutting loop wires make sure power to the camera is turned off.  
 For CAN-BUS vehicles you will require a Gator **GRCANFLT** CAN-BUS filter. (Sold separately).